

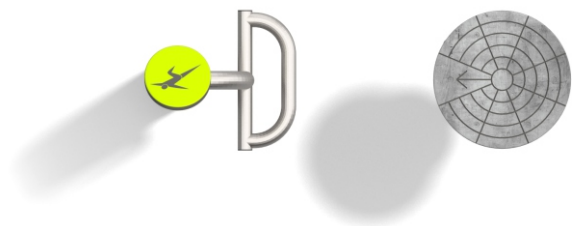
7804-INOX

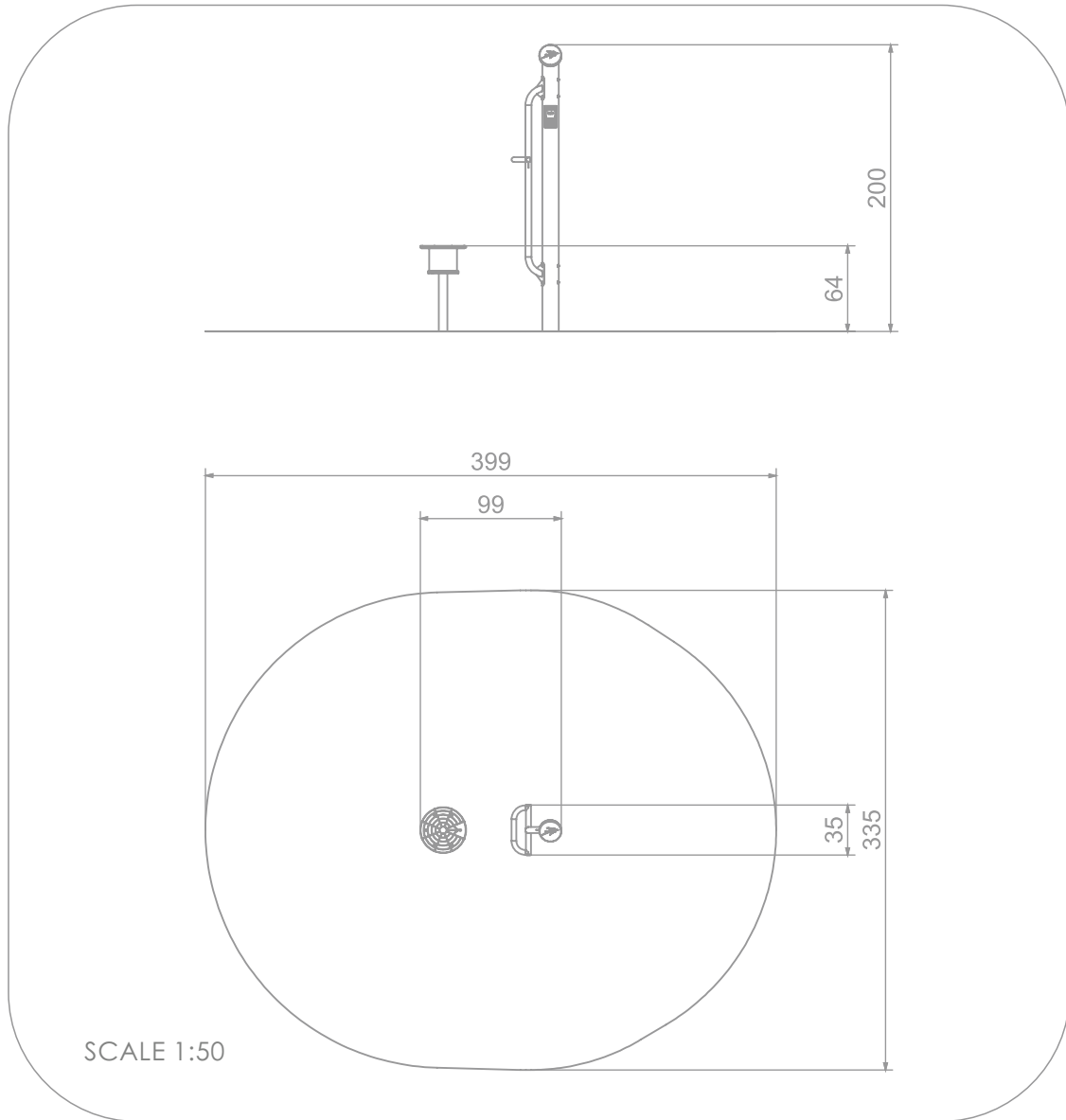
FITNESS



INFORMATION ABOUT THE PRODUCT

Dimensions	99 x 35 cm
Safety zone	399 x 335 cm
Safety zone area	11 m ²
Overall height	200 cm
Free fall height	64 cm
Product complies with PN-EN 16630: 2015	YES
Availability of spare parts	YES




MATERIALS:

SOLID CONSTRUCTION
MADE OF STAINLESS STEEL
ASISI 304 TOTALLY



ANTI-SLIP PLATE MADE OF
13 MM HPL



PLATES MADE OF
COLOURFUL TRIPLE LAYERED
POLYETHYLENE HDPE 15 MM



PLATE MADE OF ANODIZED
ALUMINIUM PLACED OF A
HANDLE MADE OF
POLYAMIDE

